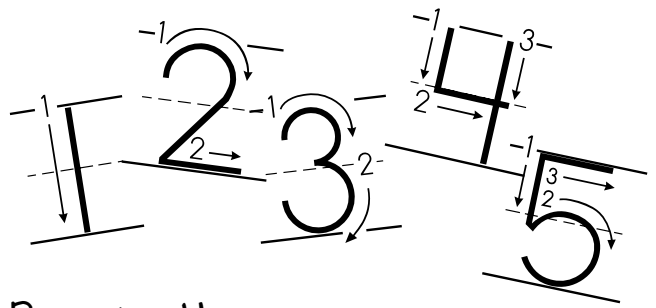
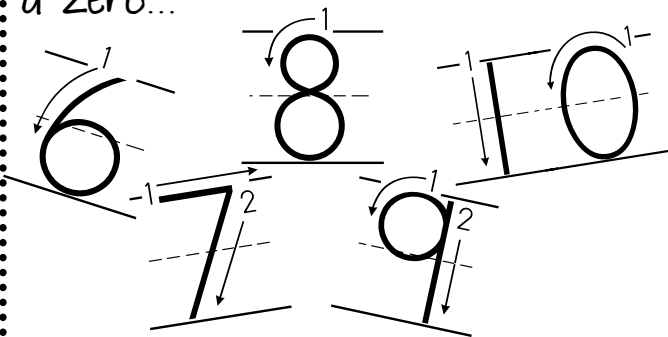


Parents: Here is a way you can help your child write their numbers at home. We sing the Numeral Song by Dr. Jean to help us learn how to form our numerals. Here are the lyrics, sung to the tune of "Skip to My Lou".

Come right down and that is all.
 Come right down and that is all.
 Come right down and that is all
 To make the numeral one.

- 2 - Curve around and slide to the right...
- 3 - Curve in and around again...
- 4 - Down, over, down some more...
- 5 - Down, around, put on a hat...
- 6 - Curve in and around again...
- 7 - Slide to the right and slant it down...
- 8 - Make an "s" then close the gate...
- 9 - Make a circle, then a line...
- 10 - Come right down, then make a zero...



Parents: Here is a way you can help your child write their numbers at home. We sing the Numeral Song by Dr. Jean to help us learn how to form our numerals. Here are the lyrics, sung to the tune of "Skip to My Lou".

Come right down and that is all.
 Come right down and that is all.
 Come right down and that is all
 To make the numeral one.

- 2 - Curve around and slide to the right...
- 3 - Curve in and around again...
- 4 - Down, over, down some more...
- 5 - Down, around, put on a hat...
- 6 - Curve in and around again...
- 7 - Slide to the right and slant it down...
- 8 - Make an "s" then close the gate...
- 9 - Make a circle, then a line...
- 10 - Come right down, then make a zero...

